

#1 Selling Marine Pumpout System in America

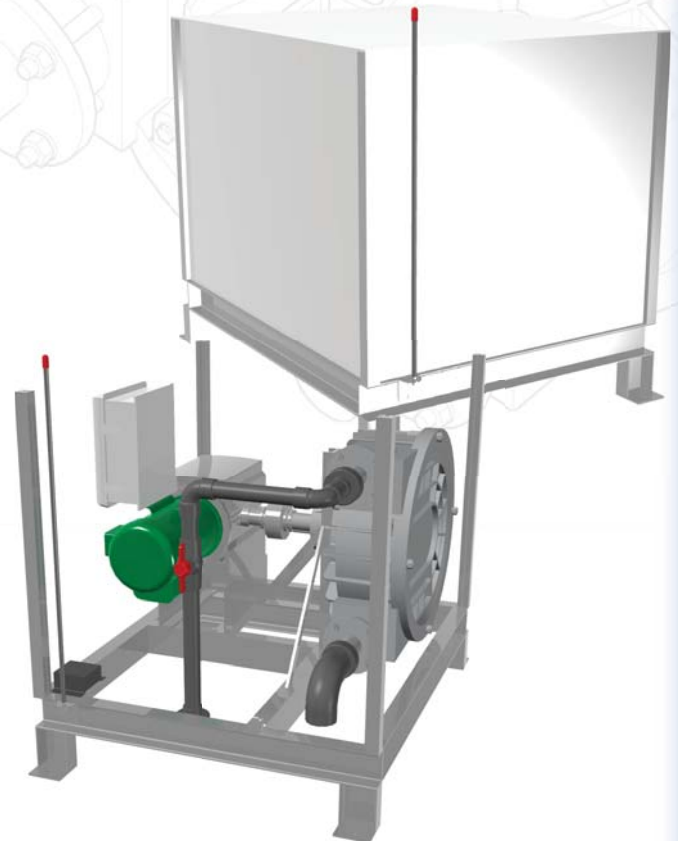
The SaniSailor Masterline Central Vacuum

Systems are rugged Systems designed to be the vacuum source for multiple pumpout locations,. These systems generate very high vacuum and are designed to be used frequently. The SaniSailor Masterline Systems are used with SaniSailor Stanchions and hydrants. The innovative “brain” of this remarkable system is its master control module which automatically regulates the pumpout locations and turns the pump on and off, as needed, in response to a hydrant or stanchion being accessed.

The Masterline CV8600 is used where a single vacuum source is require for multiple hydrants ant stanchions on several piers. This system generates a high vacuum level and can process at higher flow rates.

Use the CV8600 to service complex configurations.

The SaniSailor CV8600 includes our exclusive vacuum assisted peristaltic pump.



CV8600 Specifications

Capacity: 70 GPM
Vacuum: 29 inch Hg
Discharge Head: 190 PSI
Suction Lift: 29 Feet Vertical
Power Required: 5 HP
Dimensions: 40" L x 48" W x 43.25" H
Weight: 800 Lbs

Patented Technology Inside Every Pump

- **12% -120% longer hose life compared to other brands**
- **Best value (Lowest Life Cost Average)**
- **Longest pumpout warranty, 3 years**
- **Advanced patented technology in every pump**
- **Convenient, sizes and styles to fit every marina's needs**
- **Most reliable - EMP's responsive customer service and support**
- **Pioneer of the first peristaltic pumpout system**
- **Gold seal quality in every pumpout**
- **#1 selling marine pumpout in America**

